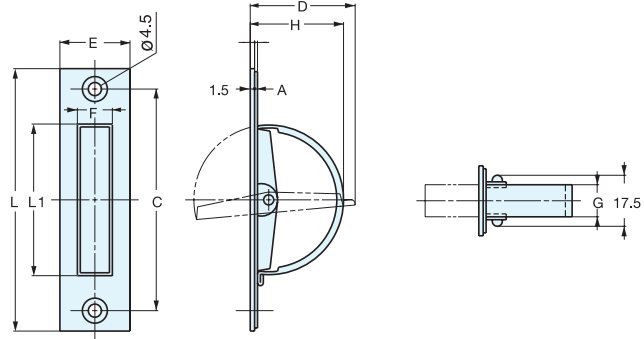


HATCH PULL



HR



Item No.	L	L ₁	C	H	D	A	E	F	G
HR- 90	90 (3-35/64")	52 (2-3/64")	76	32	36	1	24 (15/16")	12	11
HR-110	110 (4-21/64")	64 (2-33/64")	94	38	42				
HR-135	135 (5-5/16")	90 (3-35/64")	115	50	55	1.2	25 (63/64")	12.2	12

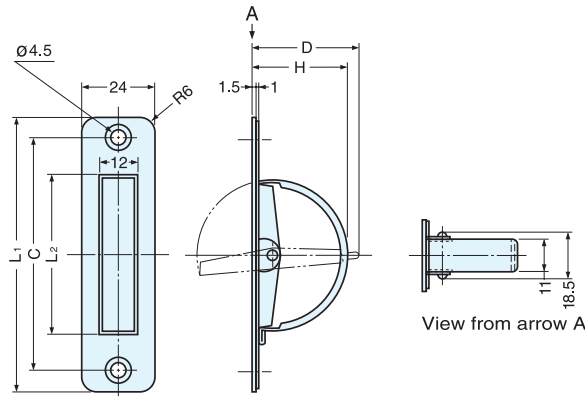
Material	Finish
304 Stainless Steel	Satin

Item No.	Load Capacity (kg)	Weight (g)	Box (pcs)	Carton (pcs)	Screw
HR- 90	13 (28 lbs)	49	30	300	3.5x22
HR-110	10 (22 lbs)	59	20	200	
HR-135	-	88	15	150	3.5x25

HATCH PULL



HR-R



Material	Finish
304 Stainless Steel	Satin

Item No.	L ₁	L ₂	C	H	D	Load Capacity (kg)	Weight (g)	Box (pcs)	Carton (pcs)
HR- 90R	90 (3-35/64")	52	76 (2-63/64")	32	36	13 (28 lbs)	46	30	300
HR-110R	110 (4-21/64")	64	94 (3-45/64")	38	42	10 (22 lbs)	55	20	200